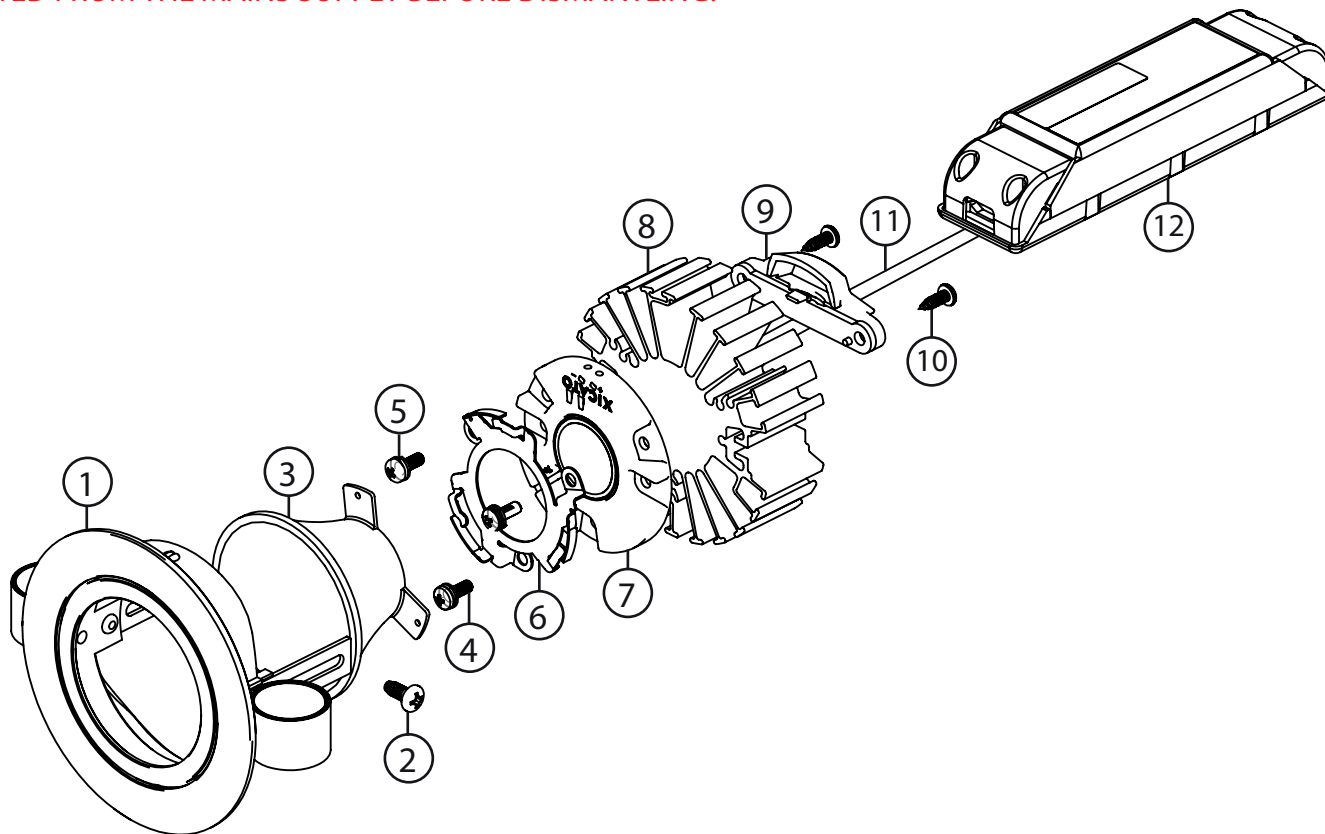


**ENSURE THE PRODUCT IS ISOLATED FROM THE MAINS SUPPLY BEFORE DISMANTLING!**



**Tools Required**

PHILIPPS HEAD SCREWDRIVER

| ITEM | DESCRIPTION                | MATERIAL           | MASS (KG)     | TOOLS REQUIRED           | RECYCLABLE | DISPOSED BY  |
|------|----------------------------|--------------------|---------------|--------------------------|------------|--------------|
| 1    | BEZEL                      | ALUMINIUM          | 0.06 - 0.63   |                          | YES        | END USER     |
| 2    | POZI PAN SCREW             | STAINLESS STEEL    | 0.001         | PHILIPS HEAD SCREWDRIVER | YES        | END USER     |
| 3    | OPTIC - REFLECTOR/LENS     | POLYCARBONATE/PMMA | 0.009 - 0.059 |                          | YES        | END USER     |
| 4    | POZI PAN SCREW             | STAINLESS STEEL    | 0.001         | PHILIPS HEAD SCREWDRIVER | YES        | END USER     |
| 5    | SPLIT LOCK WASHER          | STAINLESS STEEL    | 0.001         |                          | YES        | END USER     |
| 6    | ADAPTOR RING               | STAINLESS STEEL    | 0.004         |                          | YES        | END USER     |
| 7    | LED MODULE (LIGHT SOURCE)  | MIX                | 0.02          |                          | YES        | PROFESSIONAL |
| 8    | HEATSINK                   | ALUMINIUM          | 0.077 - 0.45  |                          | YES        | END USER     |
| 9    | STRAIN RELIEF              | NYLON 101          | 0.003         |                          | YES        | END USER     |
| 10   | POZI PAN SELF TAPPER SCREW | STAINLESS STEEL    | 0.001         | PHILIPS HEAD SCREWDRIVER | YES        | END USER     |
| 11   | SLEEVING                   | FIBREGLASS         | 0.006         |                          | NO         | END USER     |
| 12   | CONTROL GEAR               | MIX                | 0.044 - 0.304 |                          | YES        | PROFESSIONAL |