

Micro 70/90/120 Pendant



This product must be installed in accordance with applicable national and local electrical and construction codes by a person familiar with the construction and operation of the product and the hazards involved.

Failure to comply with the following installation instructions may result in death or serious injury.

⚠ WARNING

Do not stare at the operating light source.

⚠ WARNING

Do not exceed fixture specified voltage.

⚠ WARNING

Disconnect power before installing or servicing to avoid electrical shock.

⚠ WARNING

Do not attempt to clean reflector with cleaning agent or paper towels or cloth. This will permanently damage the reflector.

⚠ WARNING

Do not install if fixture, parts or connectors are damaged.

⚠ WARNING

Always wear clean latex or cotton gloves when handling the reflector and mounting mechanism. Marks left on the reflector will reduce light output and cause damage not covered by the manufacturer's warranty.

⚠ WARNING

Do not install if fixture, parts or connectors are damaged.

⚠ CAUTION

Unauthorized field repairs or modifications will void warranty. Tampering with power supply, factory wiring or hardware will void warranty.

⚠ CAUTION

This luminaire is not suitable for fire-rated installations.

⚠ CAUTION

LEDs in the product are not user replaceable.

⚠ CAUTION

Interior use only. The product must only be installed in the applicable zone according to national regulations. Any damaged or cracked protective shield must be replaced to ensure IP rating is maintained.

⚠ CAUTION

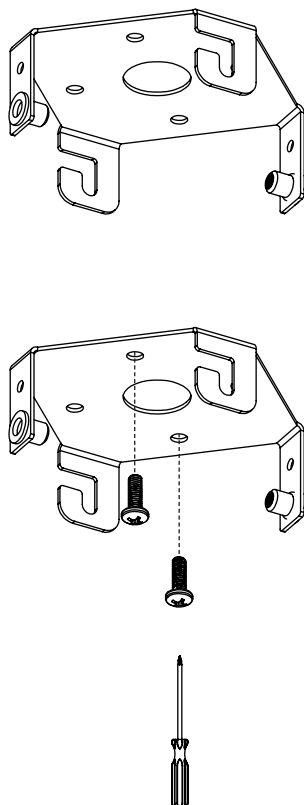
Product must be installed with provided power supplies and housings only. Use of other manufacturers' components will void warranty.

⚠ CAUTION

Do not install upside down or horizontally.

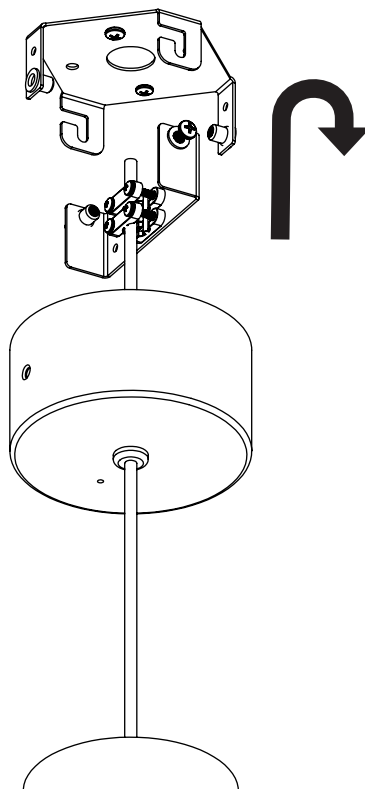
Installation

1



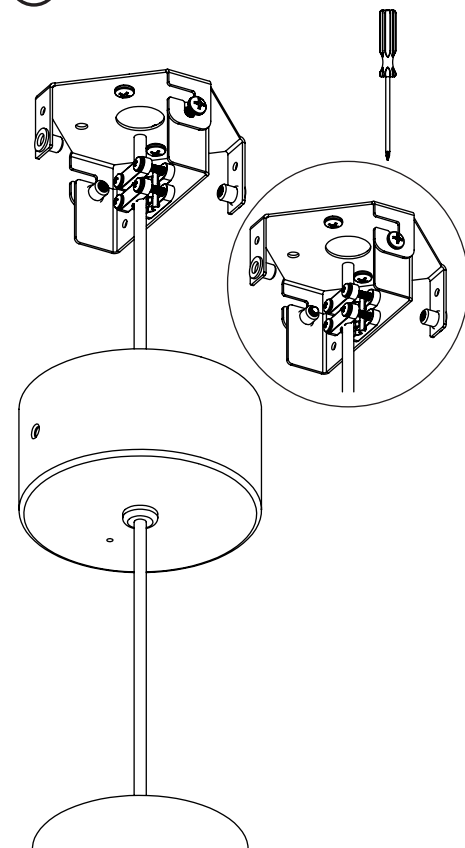
Mount ceiling bracket using appropriate screws, specified by the installer.

2



Attach the cylinder assembly to the ceiling bracket.

3



Tighten the screws on either side to secure in place.

Micro 70/90/120 Pendant

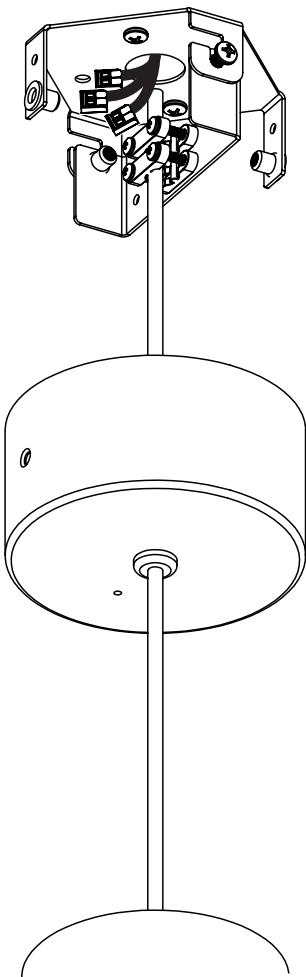


This product must be installed in accordance with applicable national and local electrical and construction codes by a person familiar with the construction and operation of the product and the hazards involved.

Failure to comply with the following installation instructions may result in death or serious injury.

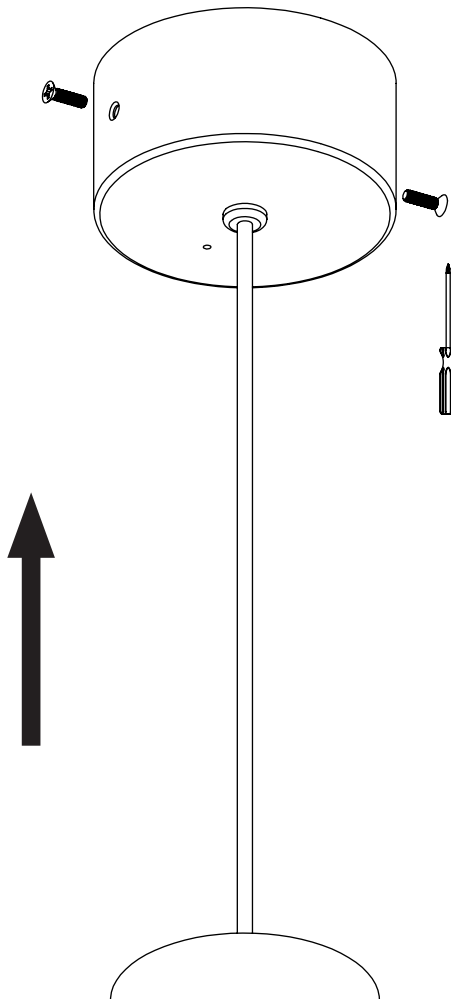
Installation

4



Make appropriate electrical connections.

5



Slide the ceiling canopy up to the mounting bracket and secure with the provided screws.

6

