

INSTALLATION INSTRUCTIONS



This product must be installed in accordance with applicable national and local electrical and construction codes by a person familiar with the construction and operation of the product and the hazards involved. Failure to comply with the following installation instructions may result in death or serious injury.

⚠ WARNING

Do not exceed product specified luminaire voltage (230V-240V or 120-277V 50/60Hz) according to product marking. Any other source will void warranty.

⚠ WARNING

Do not install if luminaire, parts or connectors are damaged.

⚠ WARNING

This luminaire is not suitable for fire-rated installations.

⚠ WARNING

The light source contained in this luminaire shall only be replaced by the manufacturer or his service agent or a similar qualified person.

⚠ WARNING

Products are rated for an ambient of 25 °C.

CAUTION

Unauthorized field repairs or modifications will void warranty. Tampering with power supply, factory wiring or hardware will void warranty.

CAUTION

Product must be installed with provided power supplies and housings only. Use of other manufacturers' components will void warranty.

CAUTION

Do not install upside down or horizontally.

CAUTION

Interior use only. IF IP rated options are selected then the product must only be installed in the applicable zone according to national regulations. Any damaged or cracked protective shield must be replaced to ensure IP rating is maintained.

⚠ WARNING



Always wear clean latex or cotton gloves when handling the reflector and mounting mechanism. Marks left on the reflector will reduce light output and cause damage not covered by the manufacturer's warranty.

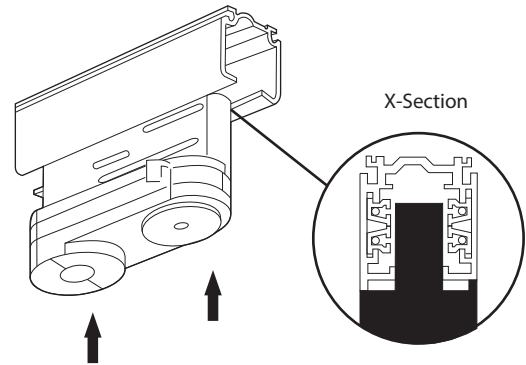


LUMINAIRE INSTALLATION

3 Circuit track adaptor

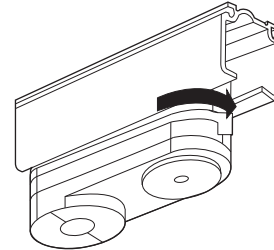
1. Engage the adaptor into the track.
2. Adjust the lever to make electrical connection and to lock with the track.
3. Select circuit 1,2 or 3 by rotating the selector dial.
4. Removing the adaptor by reversing the above sequence.

STEP 1



NOTE: Please ensure that track adaptor is aligned correctly

STEP 2



STEP 3

