

INSTALLATION INSTRUCTIONS



This product must be installed in accordance with applicable national and local electrical and construction codes by a person familiar with the construction and operation of the product and the hazards involved. Failure to comply with the following installation instructions may result in death or serious injury.

WARNING
Do not exceed product specified luminaire voltage (230V-240V or 120-277V 50/60Hz) according to product marking. Any other source will void warranty.

WARNING
The light source contained in this luminaire shall only be replaced by the manufacturer or his service agent or a similar qualified person.

CAUTION
Product must be installed with provided power supplies and housings only. Use of other manufacturers' components will void warranty.

WARNING
Do not install if luminaire, parts or connectors are damaged.

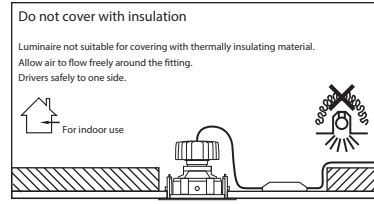
WARNING
Products are rated for an ambient of 25 °C.

CAUTION
Do not install upside down or horizontally.

WARNING
This luminaire is not suitable for fire-rated installations.

CAUTION
Unauthorized field repairs or modifications will void warranty. Tampering with power supply, factory wiring or hardware will void warranty.

CAUTION
Interior use only. IF IP rated options are selected then the product must only be installed in the applicable zone according to national regulations. Any damaged or cracked protective shield must be replaced to ensure IP rating is maintained.

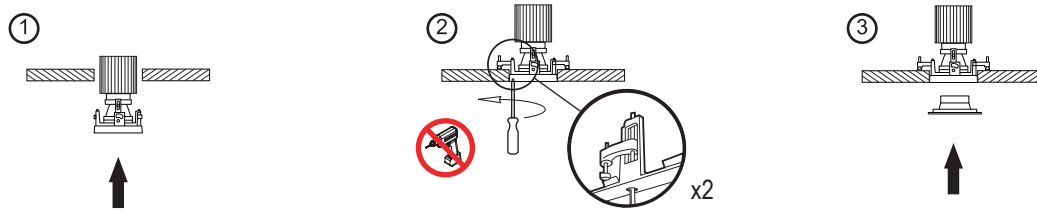


WARNING
Always wear clean latex or cotton gloves when handling the reflector and mounting mechanism. Marks left on the reflector will reduce light output and cause damage not covered by the manufacturer's warranty.

LUMINAIRE INSTALLATION

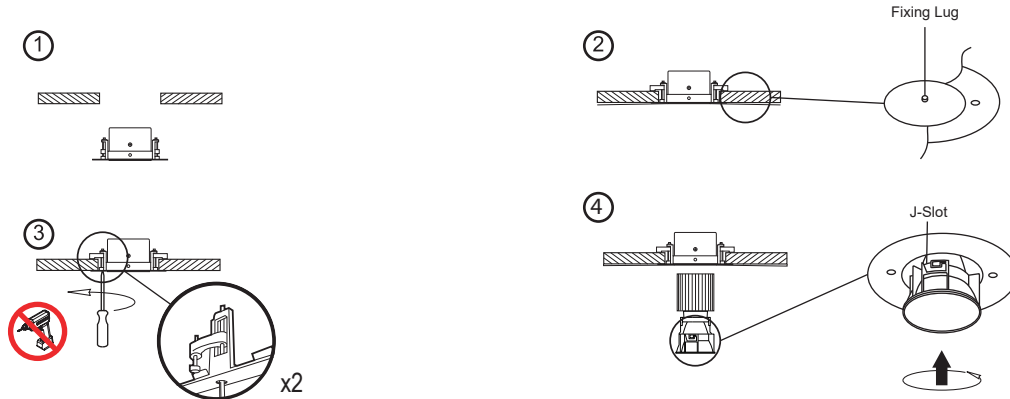
90 Series Installation

1. Remove front bezel and insert fitting into cut out.
2. Secure the fitting into the ceiling using the alphaLED fastfix mechanism.
3. Snap fit front bezel onto front of fitting.



Round and Square 90 Installation

1. Insert Inner frame into cut out and secure using the alphaLED fast fix mechanism
2. Skim plaster to the lip edge of the trimless drum.
3. Install the luminaire into the trimless drum by locating the fixing lugs into the 'J' slots, push up and turn clockwise. Fixture will securely locate on lugs and sit flush with the ceiling.



SPECIFICATION

alphaLED 90 series - Spacing & Volume table					
	Lumen Output (lm)	Height (mm)	Cut Out (mm)	Ceiling Space* (H,D,W)	Volume (CC)
Pin Hole Pin Hole Square	280	78	Ø92		
	400	98	Ø92		
	500	130	Ø92		
	700	98	Ø92		
	1000	98	Ø92		
	1300	116	Ø92		
Mini Washer Mini Washer Square	280	90	Ø92		
	400	115	Ø92		
	500	139	Ø92		
	700	115	Ø92		
	1000	115	Ø92		
	1300	132	Ø92		

alphaLED 90 series - Spacing & Volume table					
	Lumen Output (lm)	Height (mm)	Cut Out (mm)	Ceiling Space* (H,D,W)	Volume (CC)
Soft Round Soft Washer	280	80	90	Ø92	
	400	100	115	Ø92	
	500	132	139	Ø92	
	700	100	115	Ø92	
	1000	100	115	Ø92	
	1300	118	132	Ø92	
	2000	130	142	Ø92	
Round 90 Square 90	280	72	Ø112	112x112	
	400	92	Ø112	112x112	
	500	153	Ø112	112x112	
	700	92	Ø112	112x112	
	1000	92	Ø112	112x112	
	1300	142	Ø112	112x112	

*Ceiling space variable, as long as the minimum height/ volume is maintained.